

B5819W

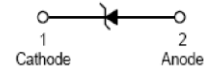
B5819W Schottky Barrier Diode

General description

Flat Lead Plastic Package Schottky Barrier Diode

FEATURES

- For use in low voltage, high frequency inverters, free wheeling & polarity protection...
- Flat Lead SOD-123 Small Outline Plastic Package
- Surface Device Type Mounting
- RoHS Compliant
- Green EMC
- Matte Tin(Sn) Lead Finish
- Band Indicates Cathode
- Weight: approx. 0.01g



SOD-123

Absolute Maximum Ratings $T_A = 25^\circ\text{C}$ unless otherwise noted

Symbol	Parameter	Value	Units
P_D	Power Dissipation	500	mW
T_{STG}	Storage Temperature Range	-55 to +150	$^\circ\text{C}$
T_J	Operating Junction Temperature	+150	$^\circ\text{C}$
V_{RM}	Repetitive Peak Reverse Voltage	40	V
I_O	Average Rectified Output Current	1	A
I_{FSM}	Peak Forward Surge Current ($t=8.3\text{ms}$ Single Half Sine-wave)	9	A
I_{FRM}	Repetitive Peak Forward Current	1.5	A

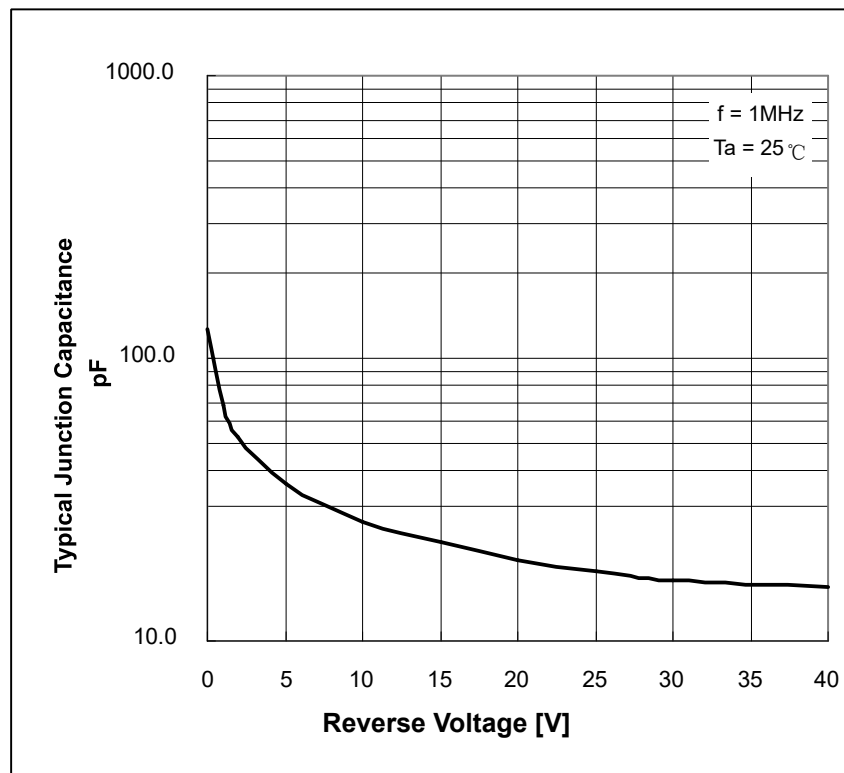
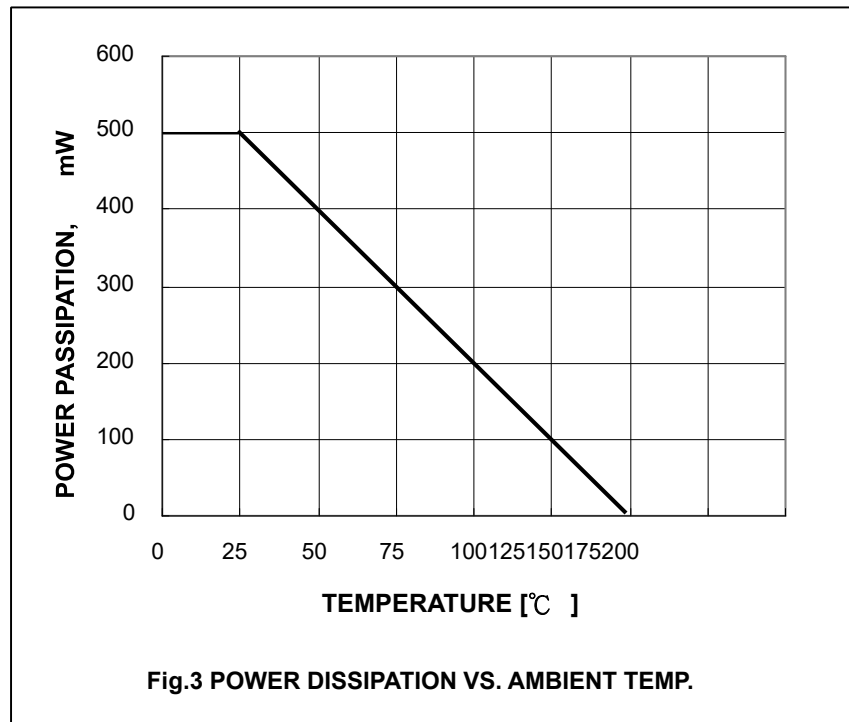
DEVICE MARKING CODE:

Device Type	Device Marking
B5819W	SL

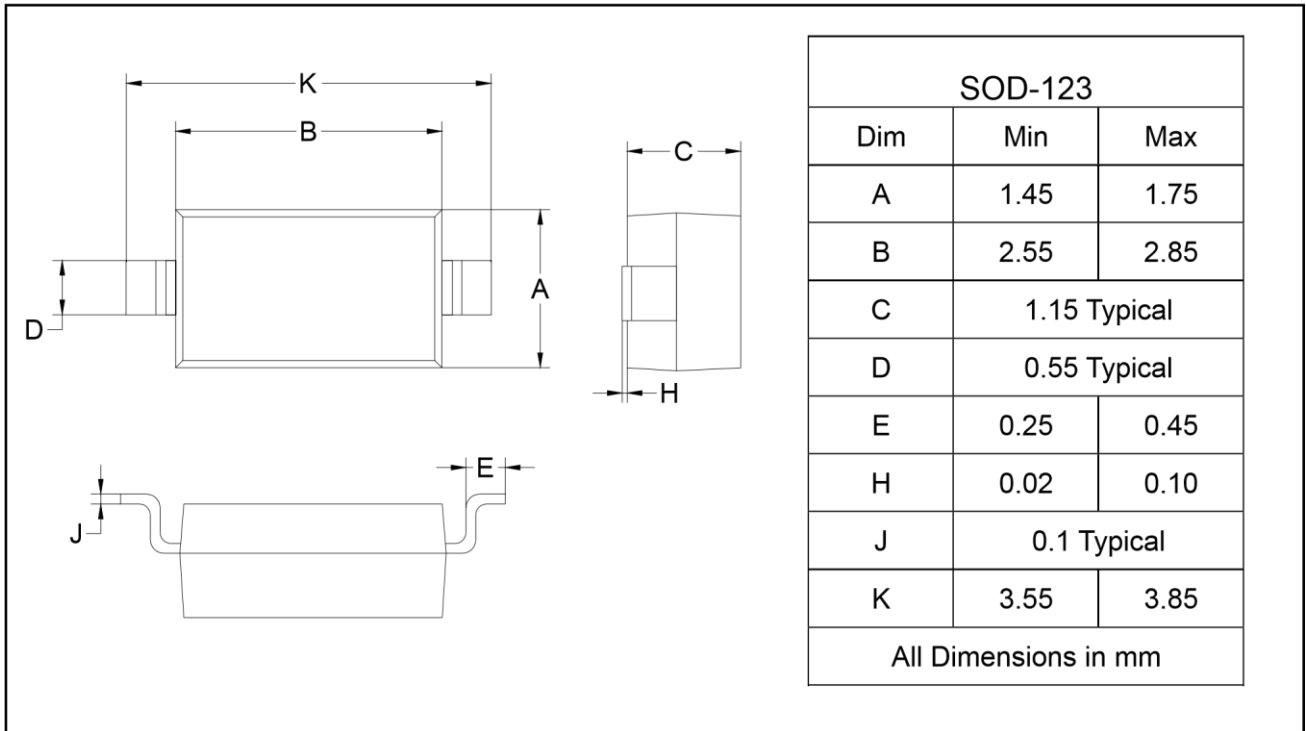
Electrical Characteristics $T_A = 25^\circ\text{C}$ unless otherwise noted

Symbol	Parameter	Test Condition	Limits			Unit
			Min	Typ	Max	
V_{BR}	Reverse Breakdown Voltage	$I_R=1\text{mA}$	40	--	-	Volts
I_R	Reverse Leakage Current	$V_R=40\text{V}$	--	--	1	mA
V_F	Forward Voltage	$I_F=1\text{A}$	--	--	0.60	Volts
		$I_F=3\text{A}$	--	--	0.90	
C_d	Diode Capacitance	$V_R=4\text{V}$ $f=1\text{MHz}$	--	--	120	pF

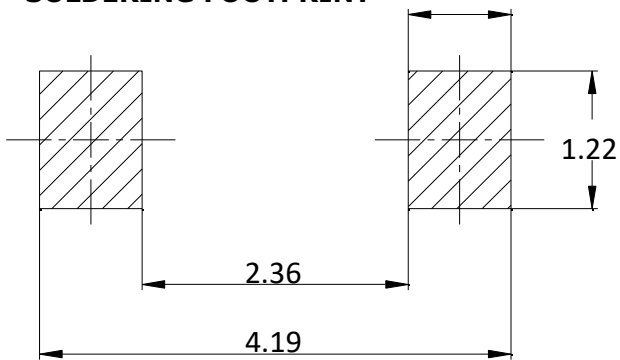
RATING AND CHARACTERISTIC CURVES



SOD-123 Package Outline



SOLDERING FOOTPRINT



Important Notice and Disclaimer

DOESHARE has used reasonable care in preparing the information included in this document, but DOESHARE does not warrant that such information is error free. DOESHARE assumes no liability whatsoever for any damages incurred by you resulting from errors in or omissions from the information included herein.

DOESHARE no warranty, representation or guarantee regarding the documents, circuits and products specification, DOESHARE reservation rights to make changes for any documents, products, circuits and specifications at any time without notice.

Purchasers are solely responsible for the choice, selection and use of the DOESHARE products and services described herein, and DOESHARE assumes no liability whatsoever relating to the choice, selection or use of the products and services described herein.

No license, express or implied, by implication or otherwise under any intellectual property rights of DOESHARE.

Resale of DOESHARE products with provisions different from the statements and/or technical features set forth in this document shall immediately void any warranty granted by DOESHARE for the DOESHARE product or service described herein and shall not create or extend in any manner whatsoever, any liability of DOESHARE.